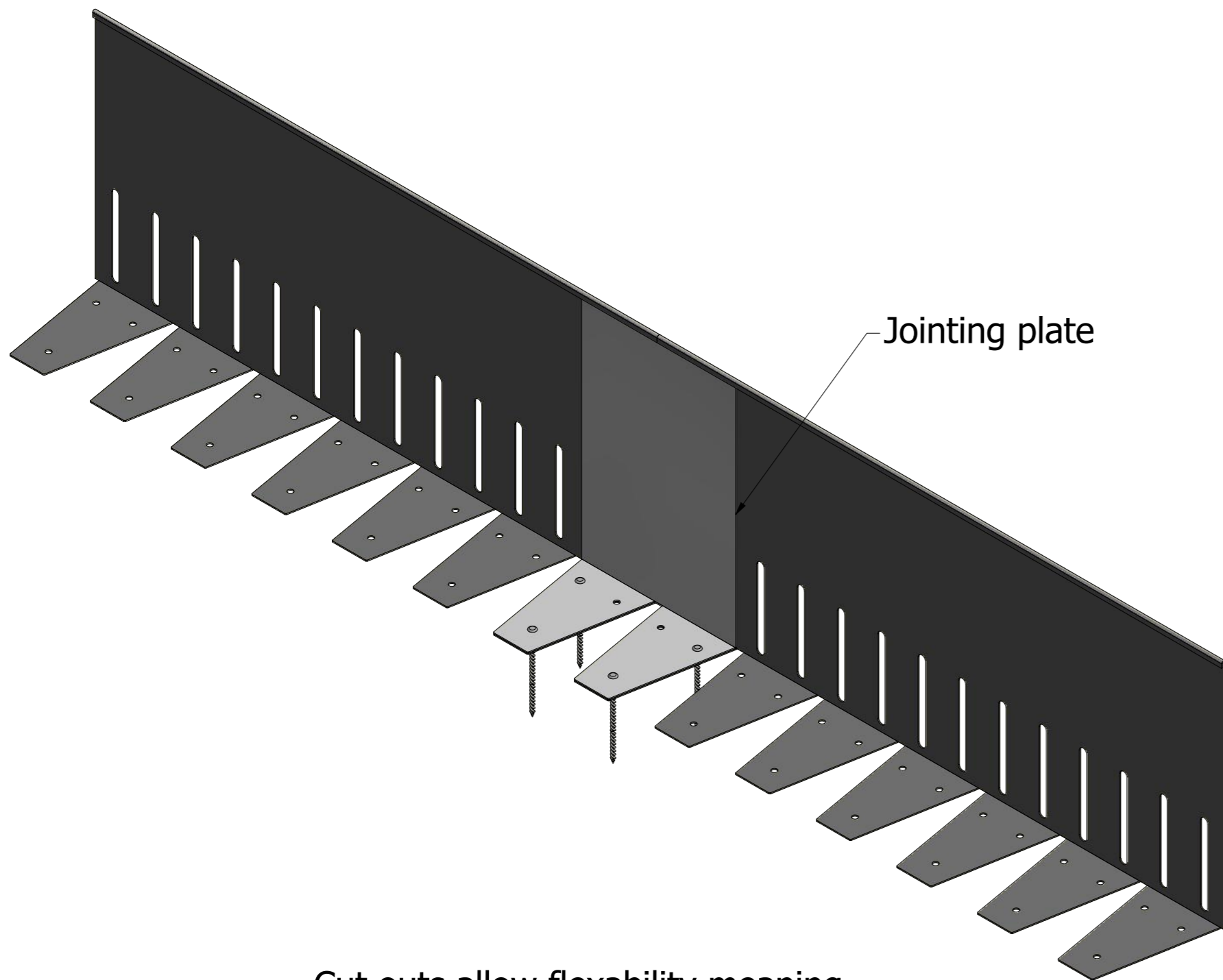


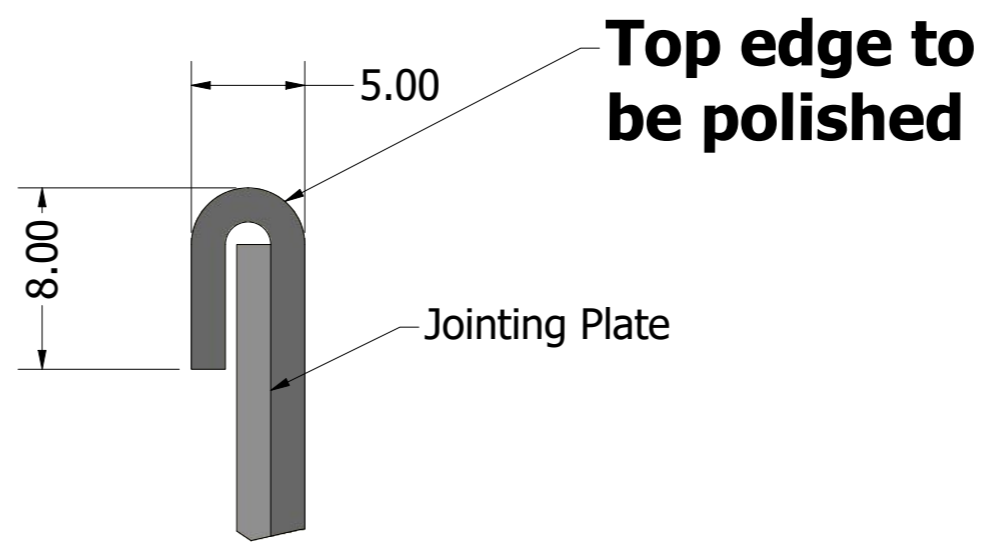
8 7 6 5 4 3 2 1

F
E
D
C
B
A

F
E
D
C
B
A

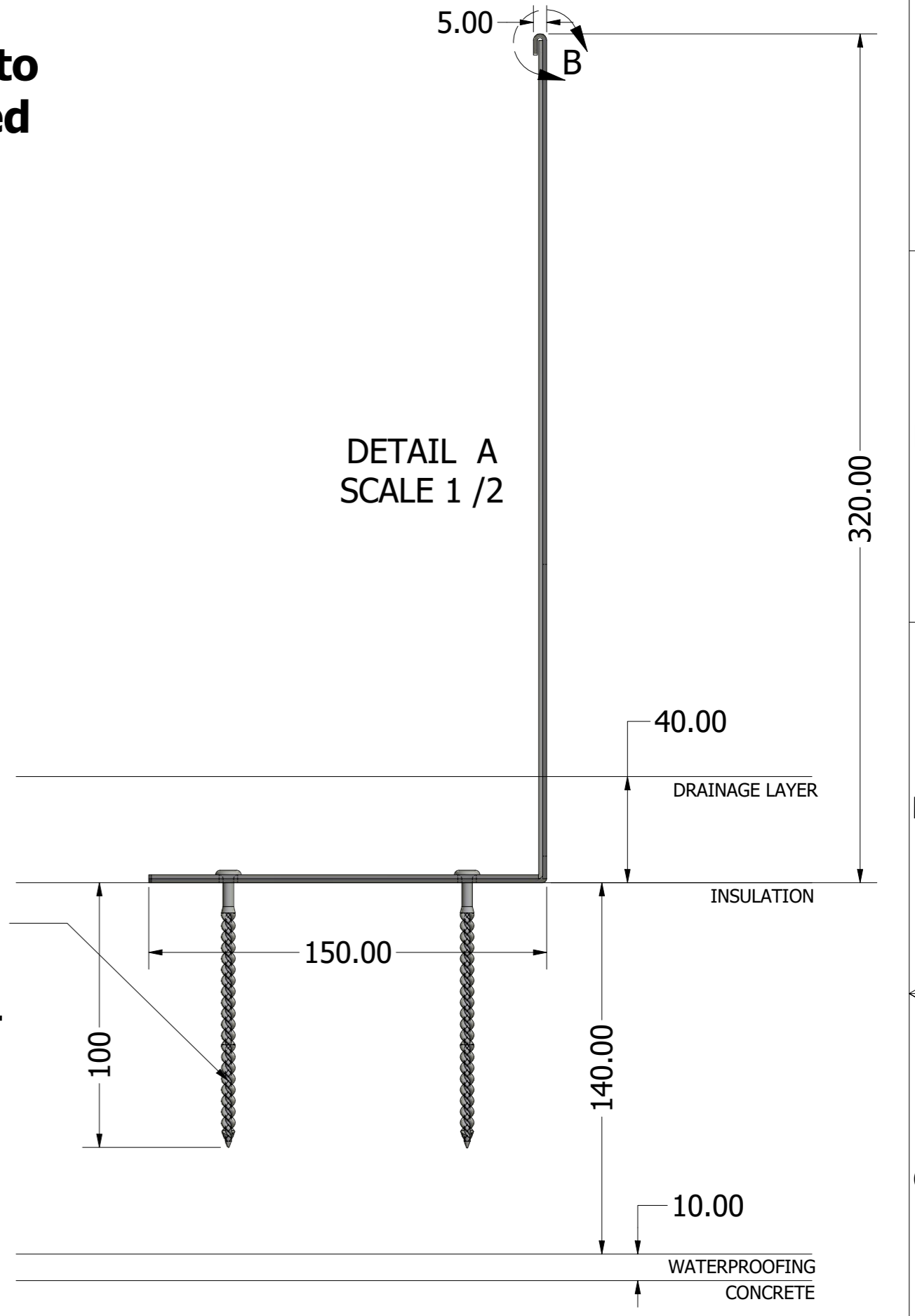
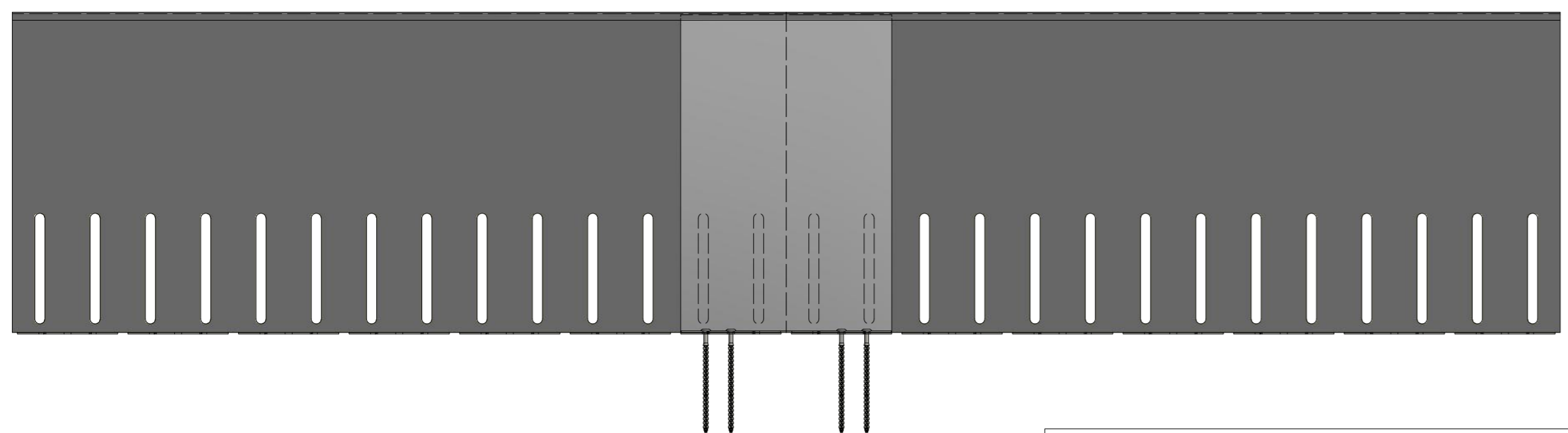
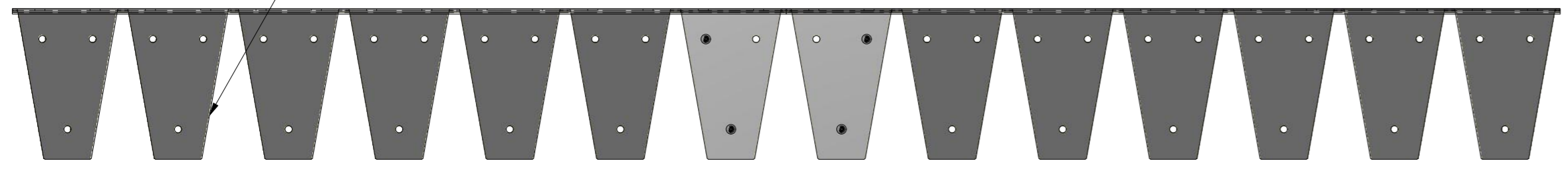


Jointing plate



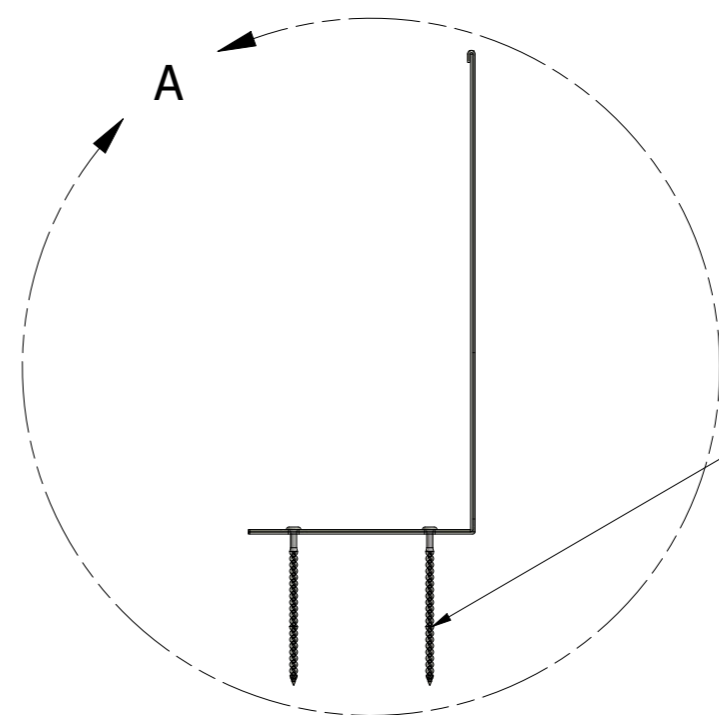
DETAIL B
SCALE 3 : 1

Cut outs allow flexibility meaning you can shape it manually to any radius.



DETAIL A
SCALE 1 / 2

Spiral Fixings to be no longer than 100mm to ensure the underside of the insulation isn't damaged.



Spiral Insulation Fixing
To hold edging in situ
prior to backfilling.

URBAN STREET DESIGNS LTD.
ST MARYS STREET, NELSON, BB9 7BA.
TEL: +44 (0)1282 507 656
EMAIL: sales@urbanstreetdesigns.co.uk
WEB PAGE: www.urbanstreetdesigns.co.uk

IF IN DOUBT ASK!

DRAWN BY: Liz
DATE: 21/09/2016
SCALE: 1 / 5
PAGE SIZE: A2
PAGE No: 1 / 1

REPORT ALL ERRORS TO DRAWING OFFICE

3rd ANGLE PROJECTION

ALL DIMENSIONS ARE IN MILLIMETRES

URBAN STREET DESIGNS LTD
2015 © Urban Street Designs Ltd All Rights Reserved.
USD. CONFIDENTIAL AND PROPRIETARY. ALL RIGHTS RESERVED. This document (and the information it contains) are the property of USD. By accepting it into your possession, you agree that you will keep this document, and all information contained herein, in strictest confidence, and will not copy, retransmit, use (except solely for the benefit of USD), sell, lend or otherwise dispose of, directly or indirectly, without the express written permission of USD, and this document will be returned to USD immediately upon request.

MATERIAL + SPEC: 304 Stainless Steel
FINISH: 2B with polished top edge
DESCRIPTION/NOTES: Flexible edging System with drainage

DRAWING NUMBER: Flexible edging System with Drainage
PART NUMBER: Flexible edging with drainage assy
CUSTOMER REF. DWG No:

8 7 6 5 4 3 2 1